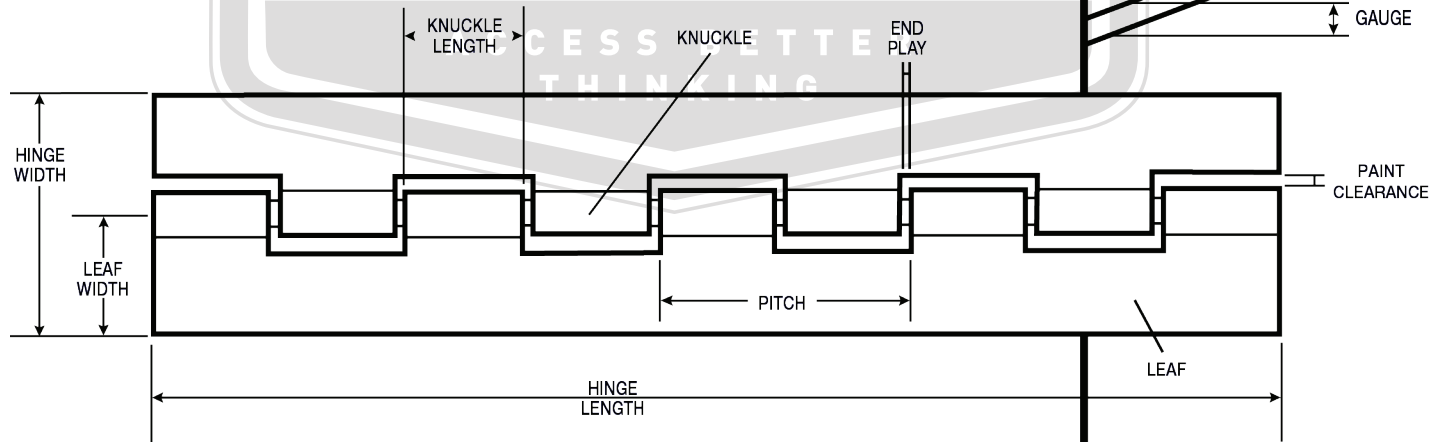
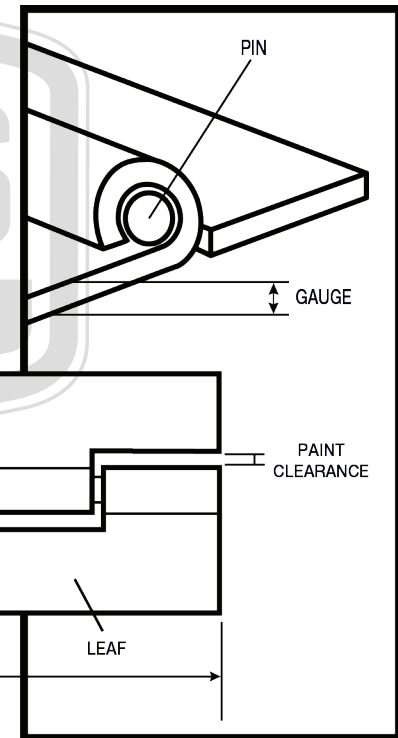


APPROVAL - CUSTOMER NAME & SIGNATURE

DATE

Medium-Light Weight Continuous Hinge (.060)

	Part Number	Gauge	Open Width In.	Pin Diameter In.	Length In.	Knuckle Length In.
Stainless Steel	H831 SS	.060	1-1/4	.125	72	1/2
	H802 SS	.060	1-1/2	.125	72	1/2
	H824 SS	.060	1-1/2	.187	72	1/2
	H803 SS	.060	2	.125	72	1/2
	H804 SS	.060	2	.187	72/84/96	1/2
	H813 SS	.060	2-1/2	.125	72	1/2
	H815 SS	.060	2-1/2	.187	72	1/2
	H814 SS	.060	3	.125	72	1/2
	H816 SS	.060	3	.125	72/96	1/2
	H821 SS	.060	4	.125	72	1/2
	H823 SS *	.060	4	.187	72	1/2



ALLEGIS

1-866-378-7550

MATERIAL:

Stainless Steel

DRAWING NO.:

H8XXSS

FINISH:

REV.:

1:1

DATE:

6/17/2019